

# Codonics Virtua Recorder Firmware Installation

**Technical Brief**

## Overview

This document describes the procedure to upgrade firmware in the Recorder component of the the Codonics Virtua-2® Medical Disc Publishers using the CD/DVD drive in the Recorder unit. This installation takes approximately 10 minutes.

**NOTE:** This firmware is designed for Virtua Recorders that meet the following criteria:

1. Virtua systems running v4.0.0 as shown on the Help Screen.
2. Recorders with serial numbers beginning with 83C as shown on the label under the right input bin.

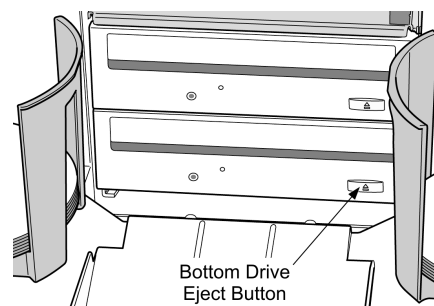
**WARNING:** The Virtua Software Installation procedure *must* be performed *after* a Recorder Firmware Upgrade. Please refer to the Virtua Software Installation instructions immediately after performing the following procedure.

## Before Installing Firmware

- ◆ Locate a working USB keyboard and mouse (not provided).
- ◆ Verify your Virtua is properly assembled and the hardware is working. Refer to the Virtua User's Manual for assembly instructions and troubleshooting guide.
- ◆ Read the Operating Software Release Notes before installing new software for more detailed information about the software and any issues you should be aware of.
- ◆ The SmartDrive must be connected during the installation procedure to allow for updates and new features to be installed. All configuration information on the SmartDrive will be preserved.
- ◆ Allow 60 minutes for the firmware and software installation procedure.

## Firmware Installation Procedure: 83C Series Recorders

Use the following procedure to install the firmware for all 83C Series Recorders:



1. Make sure all jobs are complete before installing the firmware. The network cable may be removed to ensure record/print jobs do not interrupt the upgrade process.
2. Connect the USB keyboard and mouse to the USB ports available on the front left and rear panels.
3. Open the cover of the Recorder.
4. Open the disc tray of the **bottom** CD/DVD drive by pressing the eject button in the lower-right corner.
5. Place the Virtua Firmware disc in the tray with the printed label facing up and close the disc tray by gently pushing the front of the disc tray towards the drive.
6. Press the Windows key and the 'D' key simultaneously. Verify that the Virtua User Interface is replaced by a blue screen.
7. Press the Windows key and the 'E' key simultaneously and verify Windows Explorer is opened up to 'My Computer'.
8. Use the mouse to click on the drive with the name 'VIRTUA\_4100\_FW'. The drive letter will vary on each Virtua. Mouse double clicks are disabled. Please press the Enter key once the drive is highlighted.
9. Use the mouse to click on the Update\_4100\_Firmware file on the disc and press the Enter key.
10. Follow the on screen messages to complete the firmware upgrade of the 83C series Recorder.

## Technical Support

If problems occur that are not covered by this Technical Brief, contact Codonics Technical Support between the hours of 8:30AM and 5:30PM EST (weekends and U.S. holidays excluded).

Phone: +1.440.243.1198  
Email: support@codonics.com  
Website: www.codonics.com

*Get it all with just one call*  
**800.444.1198**

All registered and unregistered trademarks are the property of their respective owners. Specifications subject to change without notice.

Copyright © 2012 Codonics, Inc. Printed in the U.S.A. Part No. 901-566-001.03.



17991 Englewood Drive  
Cleveland, OH 44130 USA  
+1.440.243.1198  
+1.440.243.1334 Fax  
Email info@codonics.com  
www.codonics.com

Codonics Limited KK  
New Shibaura Bldg. F1  
1-3-11, Shibaura  
Minato-ku, Tokyo, 105-0023 JAPAN  
Phone: 81-3-5730-2297  
Fax: 81-3-5730-2295