

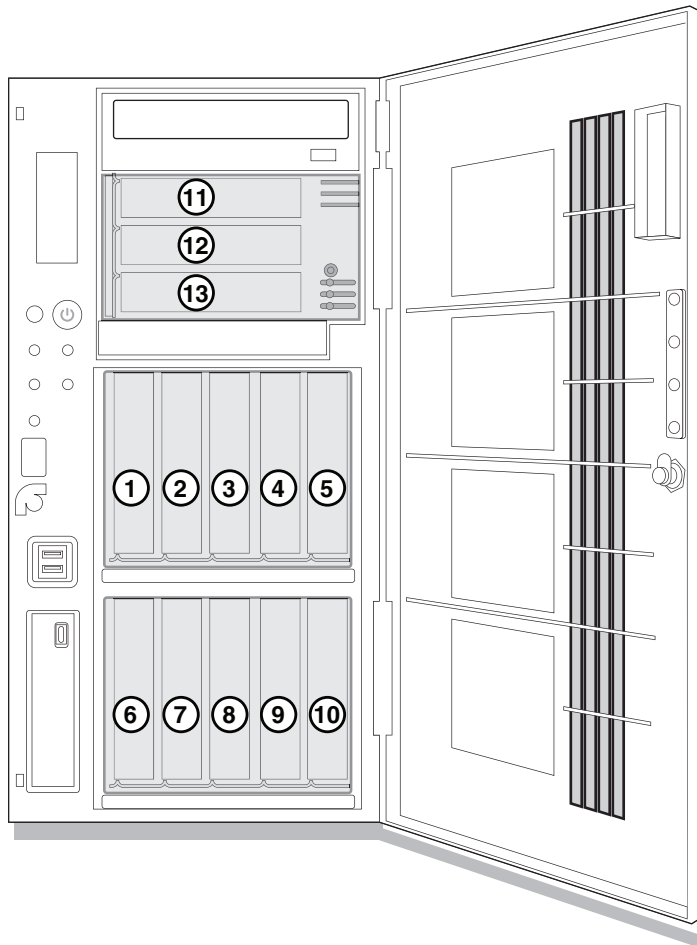
Hard Drive Installation

NOTE: Before installing the hard drives, make sure that the serial number below matches the serial number on the Infinity chassis. If it doesn't match, contact Codonics Technical Support (440-243-1198):

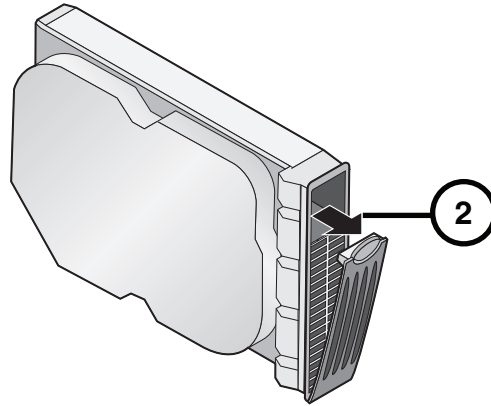
SERIAL NUMBER: _____

CAUTION: Hard drives are static-sensitive electronic devices. Each hard drive is packaged in a protective antistatic bag. Place the package containing all drives near the Infinity chassis in order to minimize personal static charge buildup. Do not remove the drives from the antistatic bags until you are ready to insert the drives into the system. It is important to prevent static discharge while installing the hard drives. Touch the metal interior of any of the drive cages prior to unbagging the first drive to be installed.

Do not set hard drives onto a hard surface.

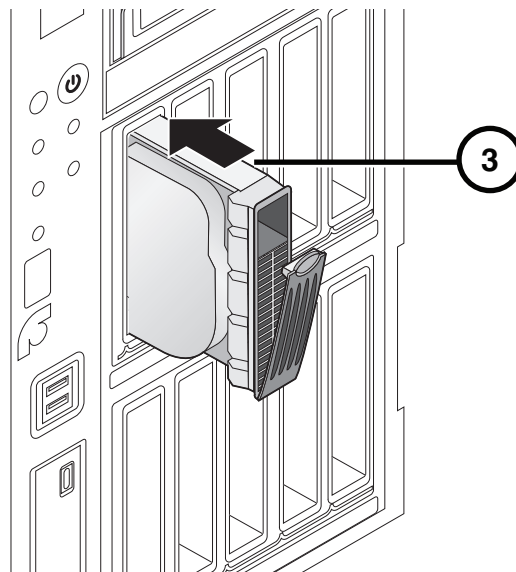


1. Match the number on each hard drive to the number on the slot.



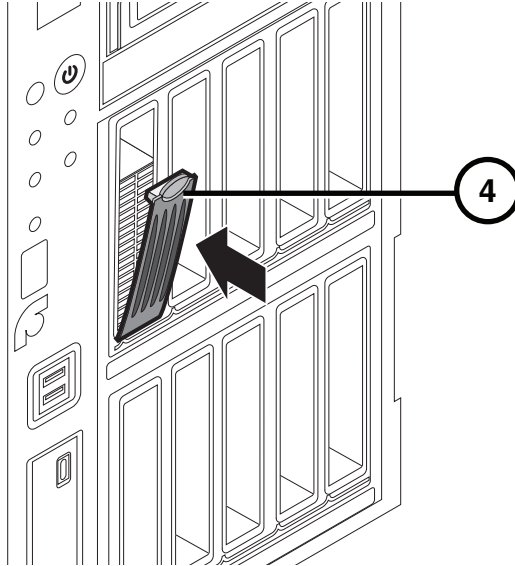
2. Open the hard drive levers.

CAUTION: Use care when unpacking and handling hard drives. Handle only the front, side edges, and face with the label, not the underside or the backplane of the drive. Do not touch any exposed electronics.



3. Insert hard drives in the main chassis.

CAUTION: When installing the drive, it is important to install it all the way into its slot. Push the drive as far into the slot as it will go (and is flush with the neighboring drives). There is some resistance as the back of the drive is seated in the cage, and it is possible to latch the lever without having the drive fully installed. It is critical that all drives are properly installed prior to the initial system startup.



4. Close the hard drive levers.
5. Because the Infinity LX comes in many different configurations, it is possible that fewer than thirteen drives will be installed. In order for Infinity to maintain proper airflow for cooling, it is important that a blank drive carrier is installed in each empty drive slot.
6. When all drive carriers have been installed per the diagram above, apply power to the Infinity system.

All registered and unregistered trademarks are the property of their respective owners. Specifications subject to change without notice. Patents Pending
Copyright © 2008 by Codonics, Inc. Printed in U.S.A. Part Number 901-385-002.02